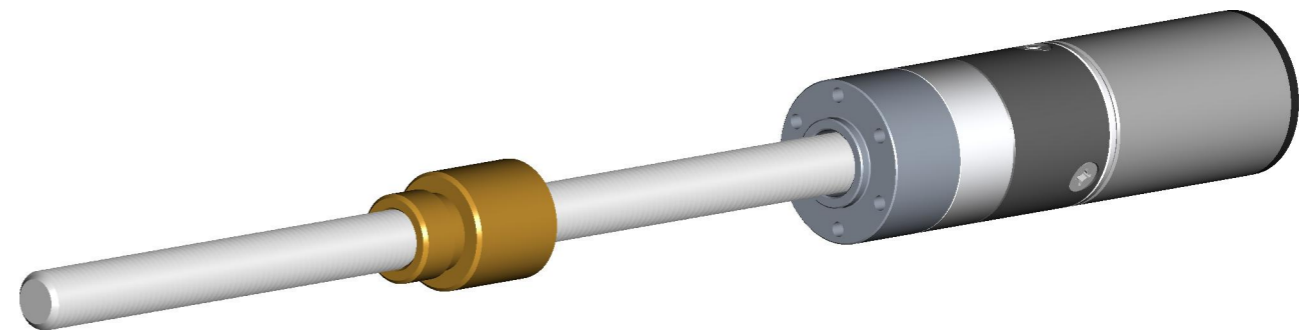
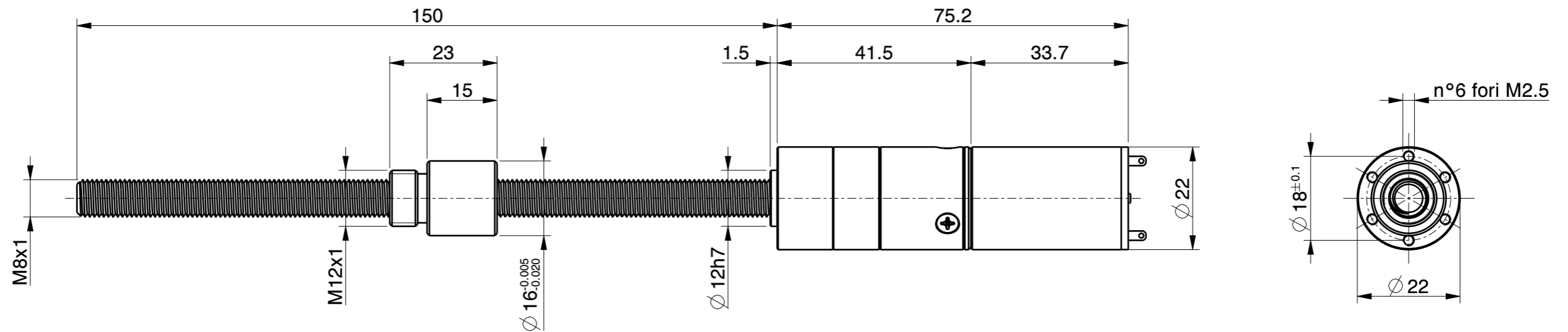


Tutti i particolari costruiti devono essere esenti da eventuali bave e/o spigoli vivi e puliti da residui di lavorazione (trucioli e lubrificanti)

MICROINGRANAGGI SI RISERVA DI MODIFICARE LA PRESENTE SCHEDA TECNICA SENZA PREAVVISO

MICROingranaggi srl
Via del Commercio, 29
20090 Buccinasco (MI)
Tel. 02-4840364 Fax. 02-48403899
www.microingranaggi.it



- AVAILABLE ON REQUEST
- SPECIAL EXECUTIONS
 - TRAPEZOIDAL SCREWS TR10x3
 - BALL SCREWS
 - BRUSHLESS AND STEPPER MOTORS
 - CUSTOM NUTS
 - OTHER SPEED AND LOADS

OPERATING TEMPERATURE RANGE: -30° C / + 90° C
SPECIAL LUBRICATION ON REQUEST

* NOMINAL CONTINUOUS CURRENT
** NOMINAL CONTINUOUS TORQUE

CODE	VOLTAGE	GEARBOX RATIO	MOTOR			GEARBOX EXIT		SCREW		
			CURRENT AT NO LOAD A	* CURRENT AT LOAD A	TORQUE CONSTANT mNm/A	** TORQUE AT LOAD Nm	EXIT AT LOAD rpm	NUT LINEAR SPEED mm/sec	NUT AXIAL LOAD N	
ALM22-001	12 V	3.43	0.045	0.2	18.4	0.012	1600	26	26	
ALM22-002	24 V	3.43	0.025	0.1	36.2	0.012	1600	26	26	
ALM22-003	12 V	4.58	0.045	0.2	18.4	0.016	1200	20	35	
ALM22-004	24 V	4.58	0.025	0.1	36.2	0.016	1200	20	35	

Rev.	Data/Date	Descrizione/Description	Nome/Name										
Tolleranze/Tolerances UNI EN 22768-1		Q.ta'/Q.ty	Next assy/Assieme suc.										
Fine		Materiale/Material	Disegnato da/Drawing by Data/Date										
Media		Treatment/Treatment and Coating											
Grossolana		<table border="1"> <tr> <td>Cliente/Cient</td> <td>Modello/Model</td> <td>Sostituisce i/Replaces the</td> <td>Approvato/Approved</td> <td>Scala/Scale</td> </tr> <tr> <td></td> <td></td> <td></td> <td>LB</td> <td>1:1</td> </tr> </table>	Cliente/Cient	Modello/Model	Sostituisce i/Replaces the	Approvato/Approved	Scala/Scale				LB	1:1	Foglio/Sheet 1/1 Disegno n°/Drawing n° Rev.
Cliente/Cient	Modello/Model		Sostituisce i/Replaces the	Approvato/Approved	Scala/Scale								
			LB	1:1									
Molto Grossolana		ATTUATORE LINEARE AL22-1S MOT. 2233 - M8x1 - L = 150											
ALM22-1S													

LA PROPRIETA' DI QUESTO DISEGNO E' RISERVATO A TERMINI DI LEGGE - ALL THE PROPERTY OF THIS TECHNICAL DRAWING IS RESERVED ACCORDING TO LAW RULES